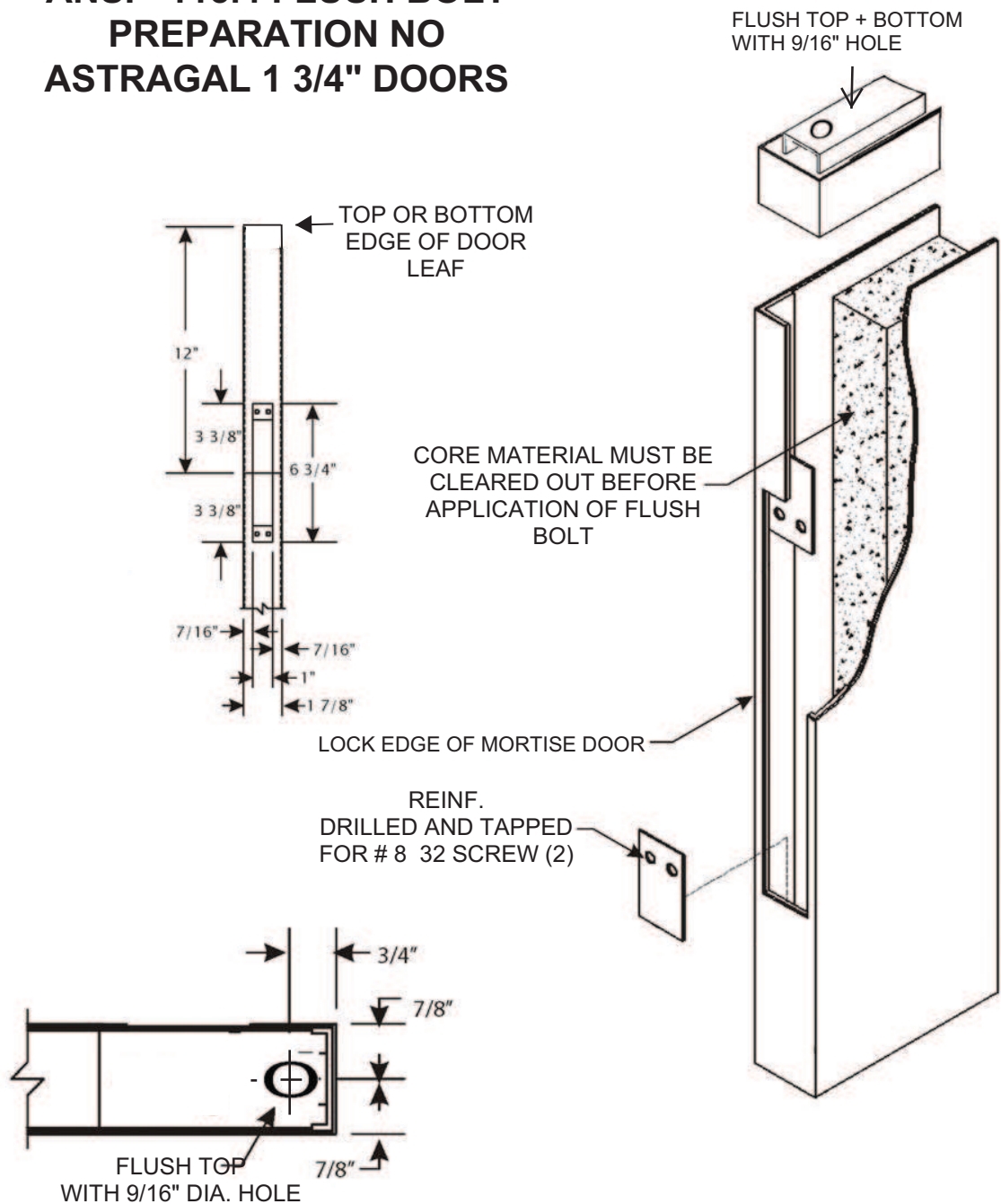


# TECHNICAL DATA SHEET

**D -100 - 12  
FLUSH BOLT PREP.  
NO ASTRAGAL**

## ANSI - 115.4 FLUSH BOLT PREPARATION NO ASTRAGAL 1 3/4" DOORS



**Issue Date: January 2006**

REVISED : 02/01/2009

